



**AKAI**

**DVD PLAYER**

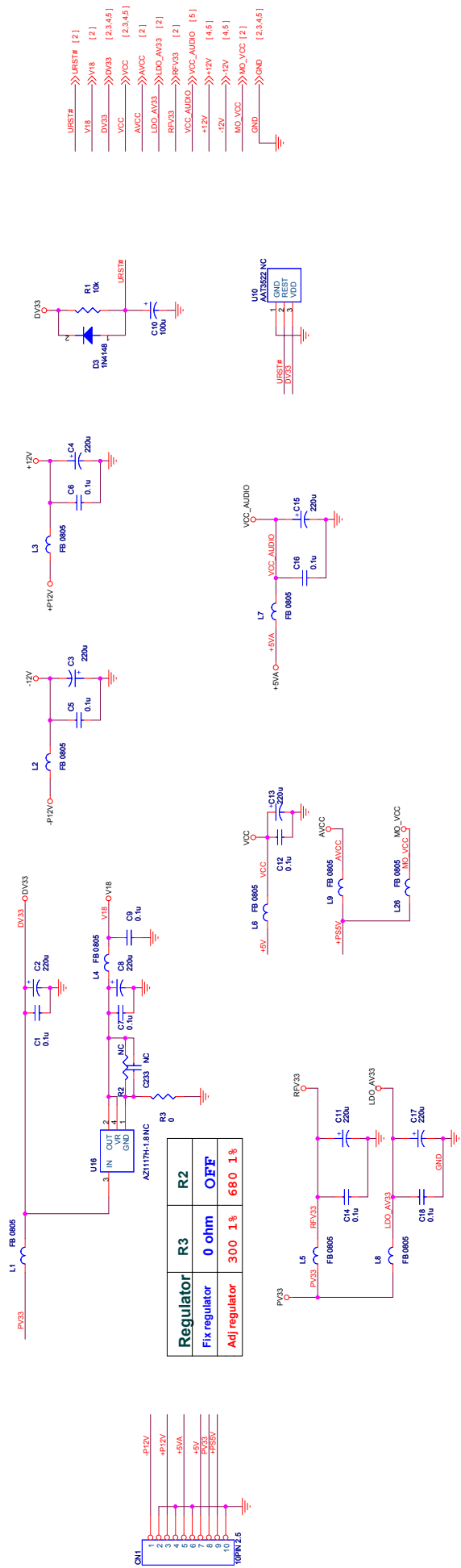
Model:  
DV-P4925KDSM

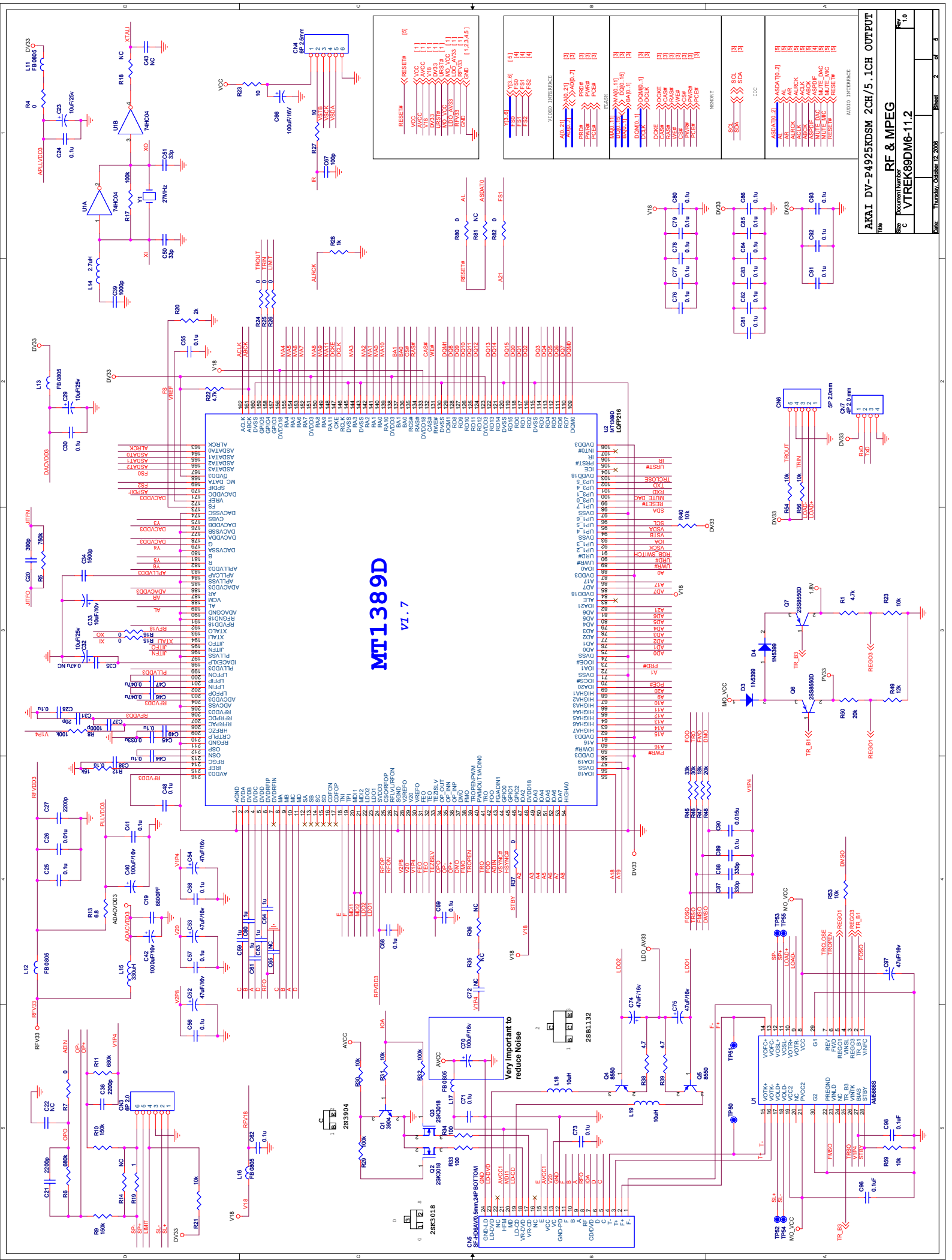
**SERVICE MANUAL**

# VTREK89DM6-11.1 MT1389QE DVD Board for SONY KHM310 PUH

- 1 INDEX & POWER, RESET
- 2 RF / SERVO - MT1336E
- 3 MPEG - MT1389QE/D
- 4 MEMORY - SDRAM, FLASH/EEPROM
- 5 AUDIO - WM8746, VIDEO FILTER

NAME	TYPE	DEVICE
VCC	Digital 5V	SUPPLY
DV33	Digital 3.3V	MT1389E
REV33	Servo 3.3V	MT1389E
LDO_AV33	Laser Diode 3.3V	
AVCC	RF 5V	PICKUP HEADER
V18	Digital 1.8V	MT1389E
SD33	Digital 3.3V	SDRAM
+12V	Audio +12V	OP AMP.
-12V	Audio -12V	OP AMP.
AVDD	Audio 5V	Audio DAC
DVDD	Audio 5V	Audio DAC



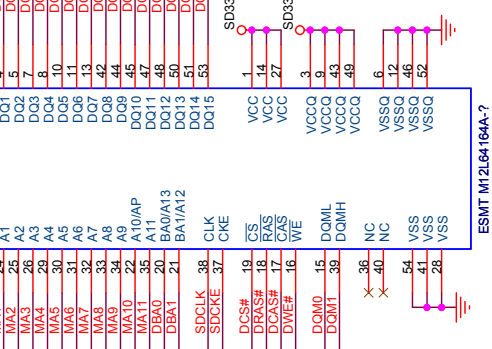
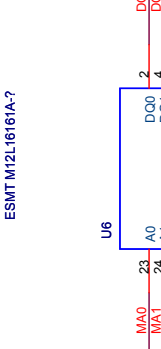
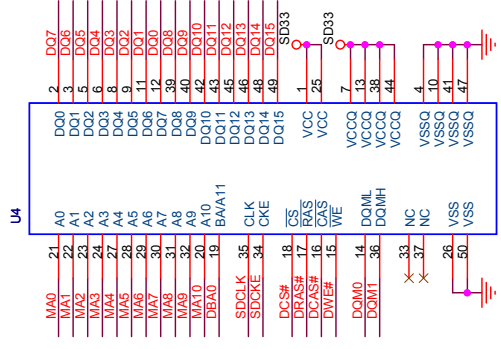
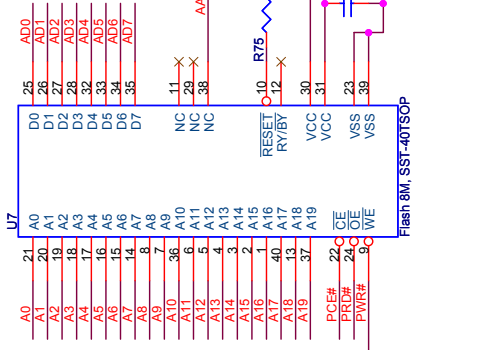
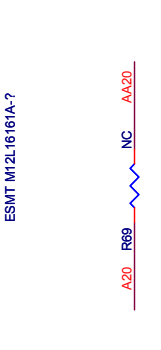
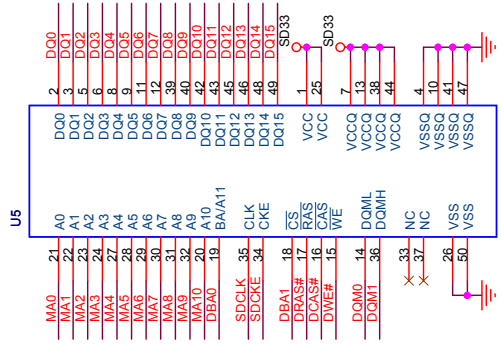
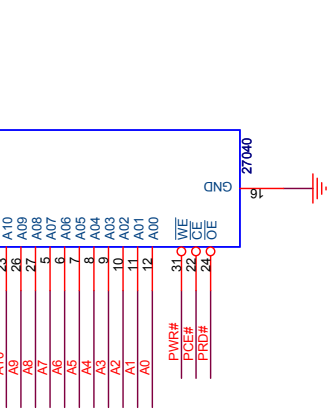
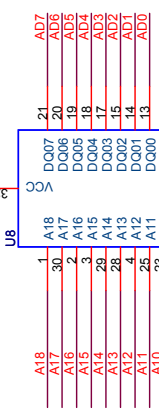
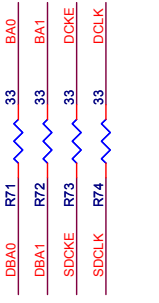
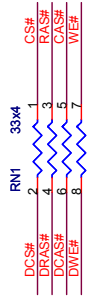
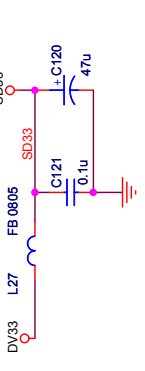
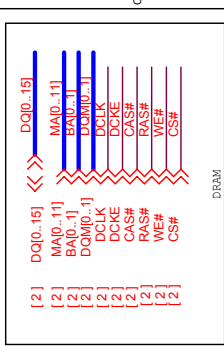
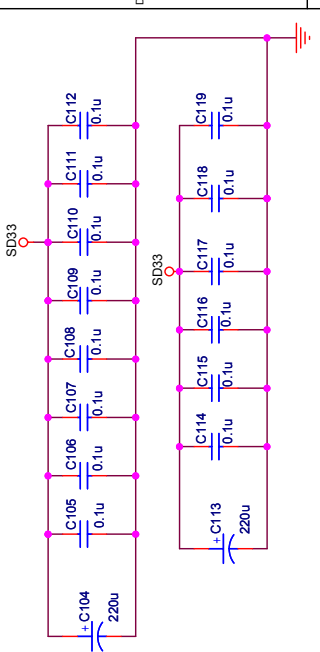


# MT1389D

V1.7

Very important to reduce Noise

AKAI DV-P4925KDSM 2CH/5.1CH OUTPUT	
Docuement Number	RF & MPEG
Size	1.0
C	VTRK89DMG-11.2
DATE	THURSDAY, OCTOBER 12, 2006
Sheet	2 of 5



**AKAI DV-P4925KDSM 2CH/5.1CH OUTPUT**

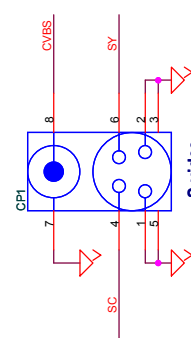
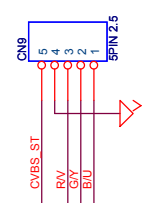
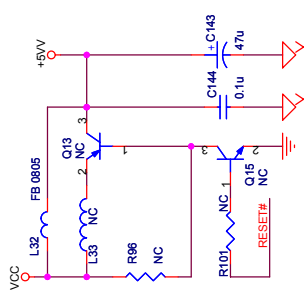
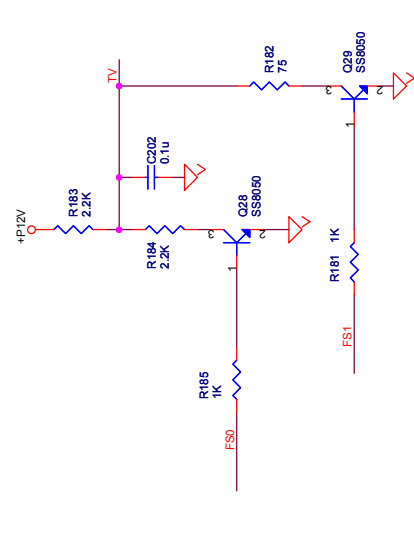
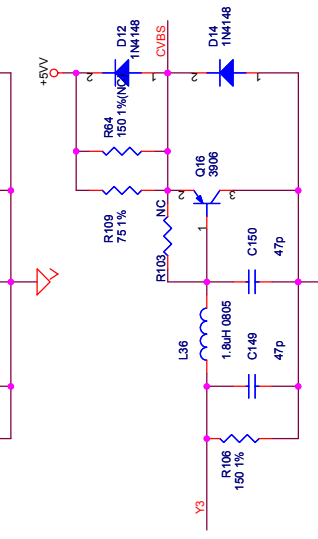
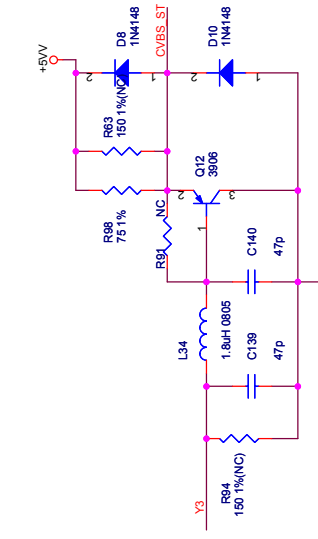
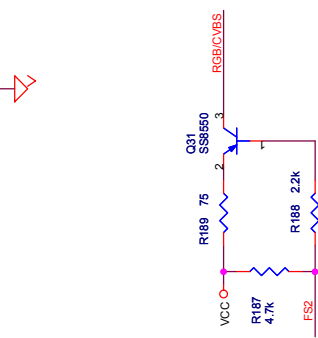
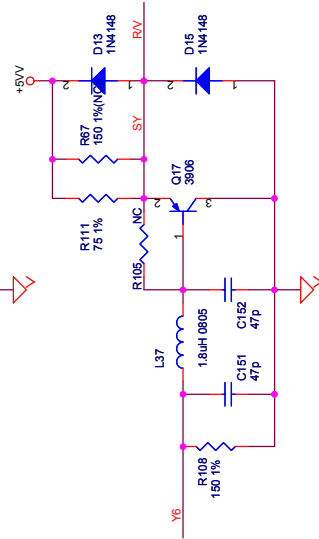
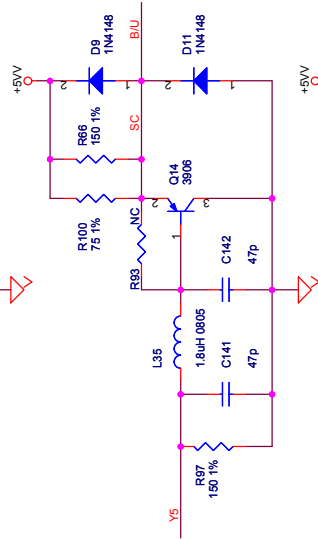
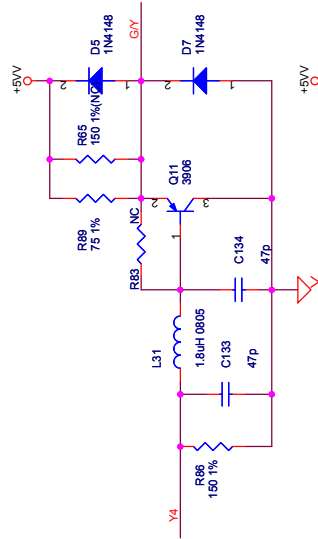
Title: **SDRAM & FLASH**

Size: B  
 Document Number: **VTREK89DM6-11.2**

Rev: 1.0

Date: Tuesday, September 13, 2005 Sheet 3 of 5

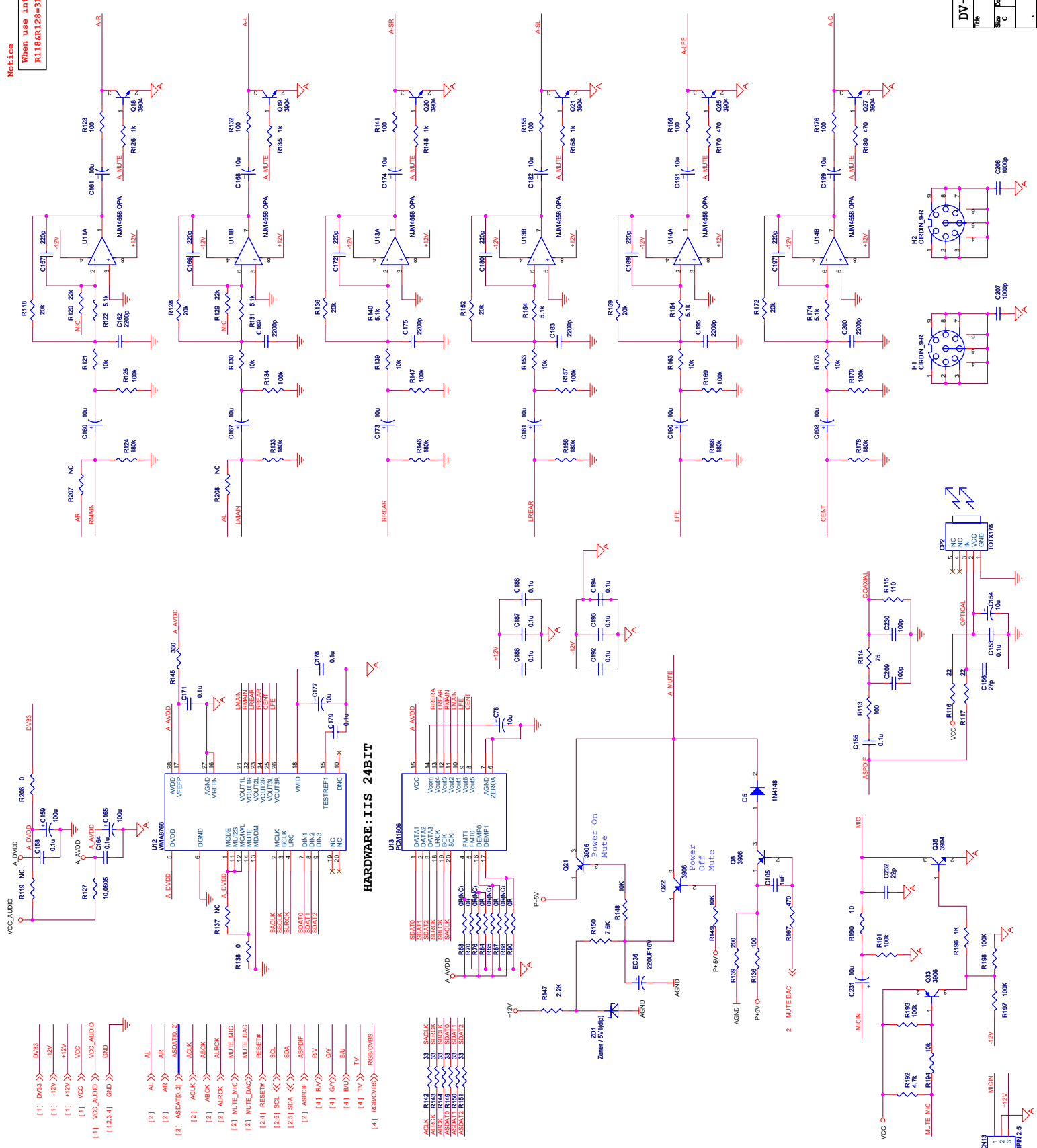
- VCC << VCC [1]
- Y3\_6 << Y[3,6] [2]
- RESET# << RESET# [25]
- FS0 << FS0 [2]
- FS1 << FS1 [2]
- FS2 << FS2 [2]
- GND << GND [1]
- G/Y >> G/Y [5]
- B/U >> B/U [5]
- R/V >> R/V [5]
- TV >> TV [5]
- RGB/CVBS >> RGB/CVBS [5]



AKAI DV-P4925KDSM 2CH/5.1CH OUTPUT	
Title	VIDEO OUT
Size	Document Number
Customer	VTRK89DM6-11.2
Rev	1.0
Date	Tuesday, September 15, 2005
Sheet	4 of 5

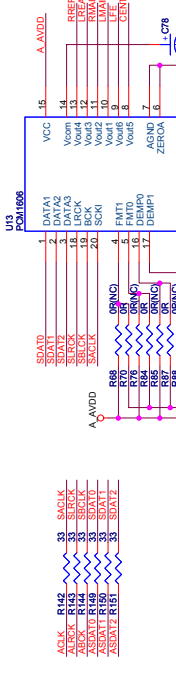
**Notice**  
When use internal Adac must change follow value  
R118&R128=31K;C162&C169=1000PF;C157&C166=100PF

General_DMC	31K	100PF	100PF	C166	C169
General_DMC	31K	100PF	100PF	200PF	200PF



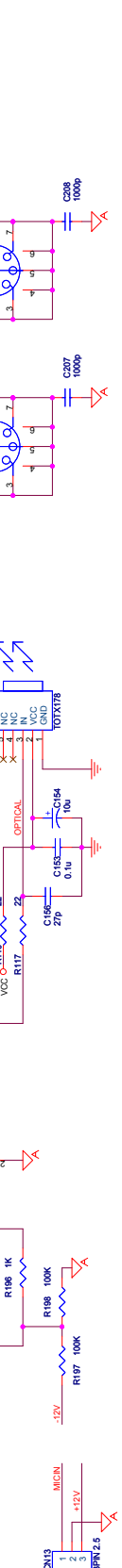
- [1] DV33 >> DV33
- [1] -12V >> -12V
- [1] +12V >> +12V
- [1] VCC >> VCC
- [1] VCC\_AUDIO >> VCC\_AUDIO
- [1] GND >> GND
- [1] GND >> GND
- [2] AL >> AL
- [2] AR >> AR
- [2] ASBNT(0..2) >> ASBNT(0..2)
- [2] ACK >> ACK
- [2] ACK >> ACK
- [2] ALCK >> ALCK
- [2] ALCK >> ALCK
- [2] MUTE\_MIC >> MUTE\_MIC
- [2] MUTE\_DAG >> MUTE\_DAG
- [2] MUTE\_DAG >> MUTE\_DAG
- [2] MUTE\_DAG >> MUTE\_DAG
- [2.5] SCL >> SCL
- [2.5] SDA >> SDA
- [2] ASPDF >> ASPDF
- [4] RV >> RV
- [4] BU >> BU
- [4] GY >> GY
- [4] TV >> TV
- [4] RGB(C/BS) >> RGB(C/BS)
- ACLK >> R142
- ALCK >> R143
- SCLK >> R144
- SERCK >> R145
- ASBNT >> R146
- ASBNT >> R147
- ASBNT >> R148
- ASBNT >> R149
- ASBNT >> R150
- ASBNT >> R151
- ASBNT >> R152
- ASBNT >> R153
- ASBNT >> R154
- ASBNT >> R155
- ASBNT >> R156
- ASBNT >> R157
- ASBNT >> R158
- ASBNT >> R159
- ASBNT >> R160
- ASBNT >> R161
- ASBNT >> R162
- ASBNT >> R163
- ASBNT >> R164
- ASBNT >> R165
- ASBNT >> R166
- ASBNT >> R167
- ASBNT >> R168
- ASBNT >> R169
- ASBNT >> R170
- ASBNT >> R171
- ASBNT >> R172
- ASBNT >> R173
- ASBNT >> R174
- ASBNT >> R175
- ASBNT >> R176
- ASBNT >> R177
- ASBNT >> R178
- ASBNT >> R179
- ASBNT >> R180
- ASBNT >> R181
- ASBNT >> R182
- ASBNT >> R183
- ASBNT >> R184
- ASBNT >> R185
- ASBNT >> R186
- ASBNT >> R187
- ASBNT >> R188
- ASBNT >> R189
- ASBNT >> R190
- ASBNT >> R191
- ASBNT >> R192
- ASBNT >> R193
- ASBNT >> R194
- ASBNT >> R195
- ASBNT >> R196
- ASBNT >> R197
- ASBNT >> R198

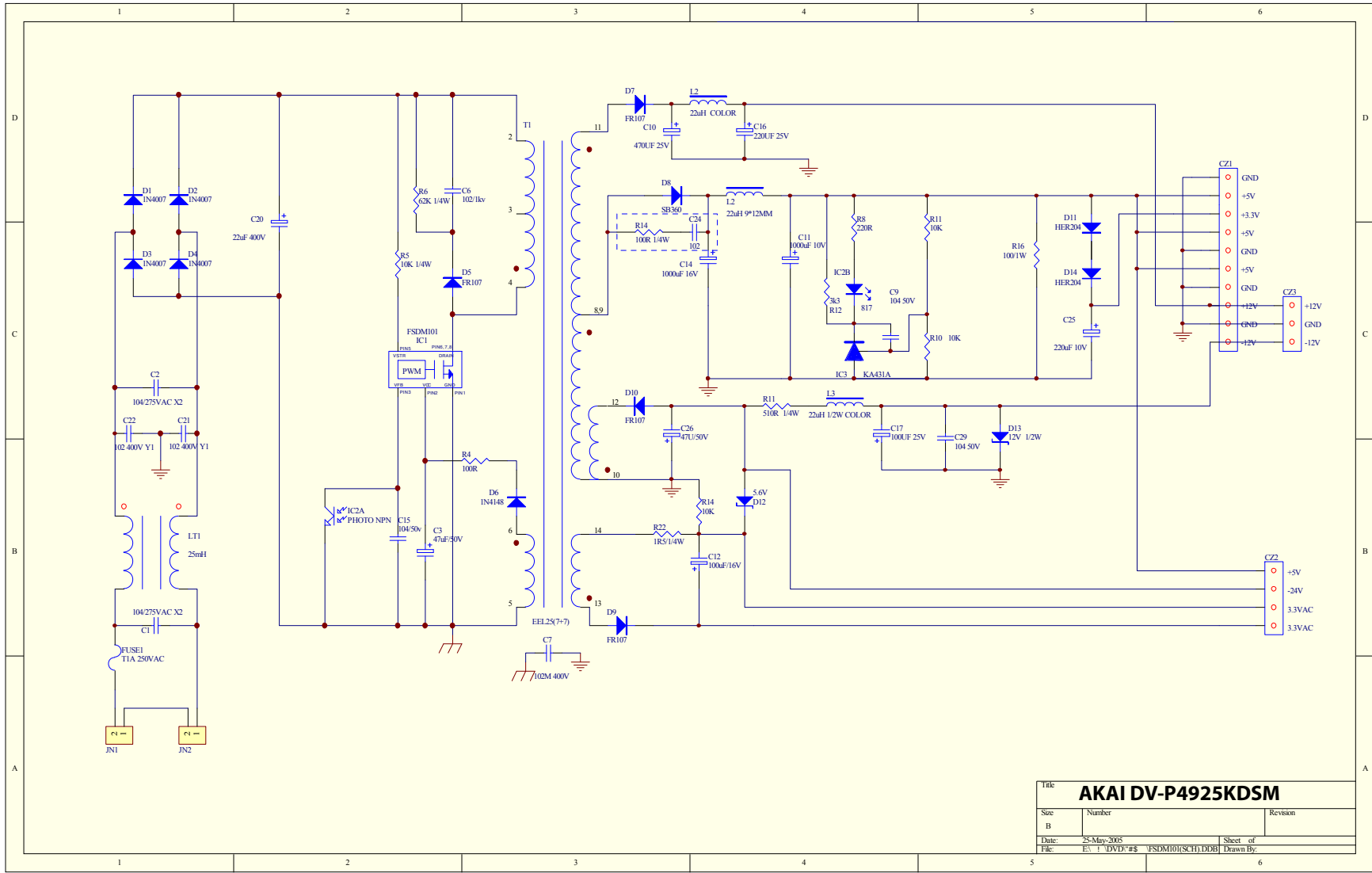
**HARDWARE: IIS 24BIT**



**DV-P4925KDSM 2CH/5.1CH OUTPUT**

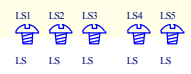
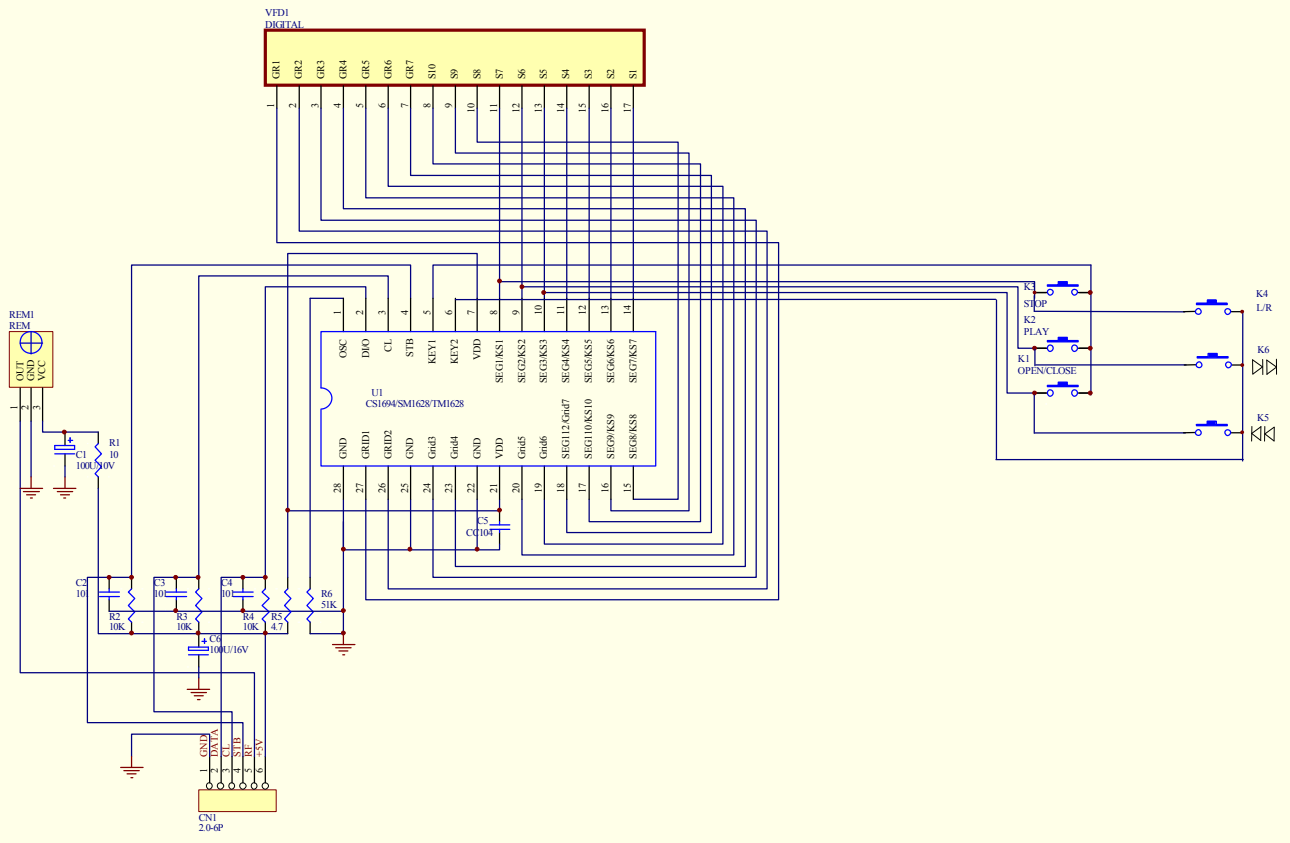
Doc Number	AUDIO OUT
Size	1.0
Doc Name	VTRK89DM6-11.2
Rev	1.0



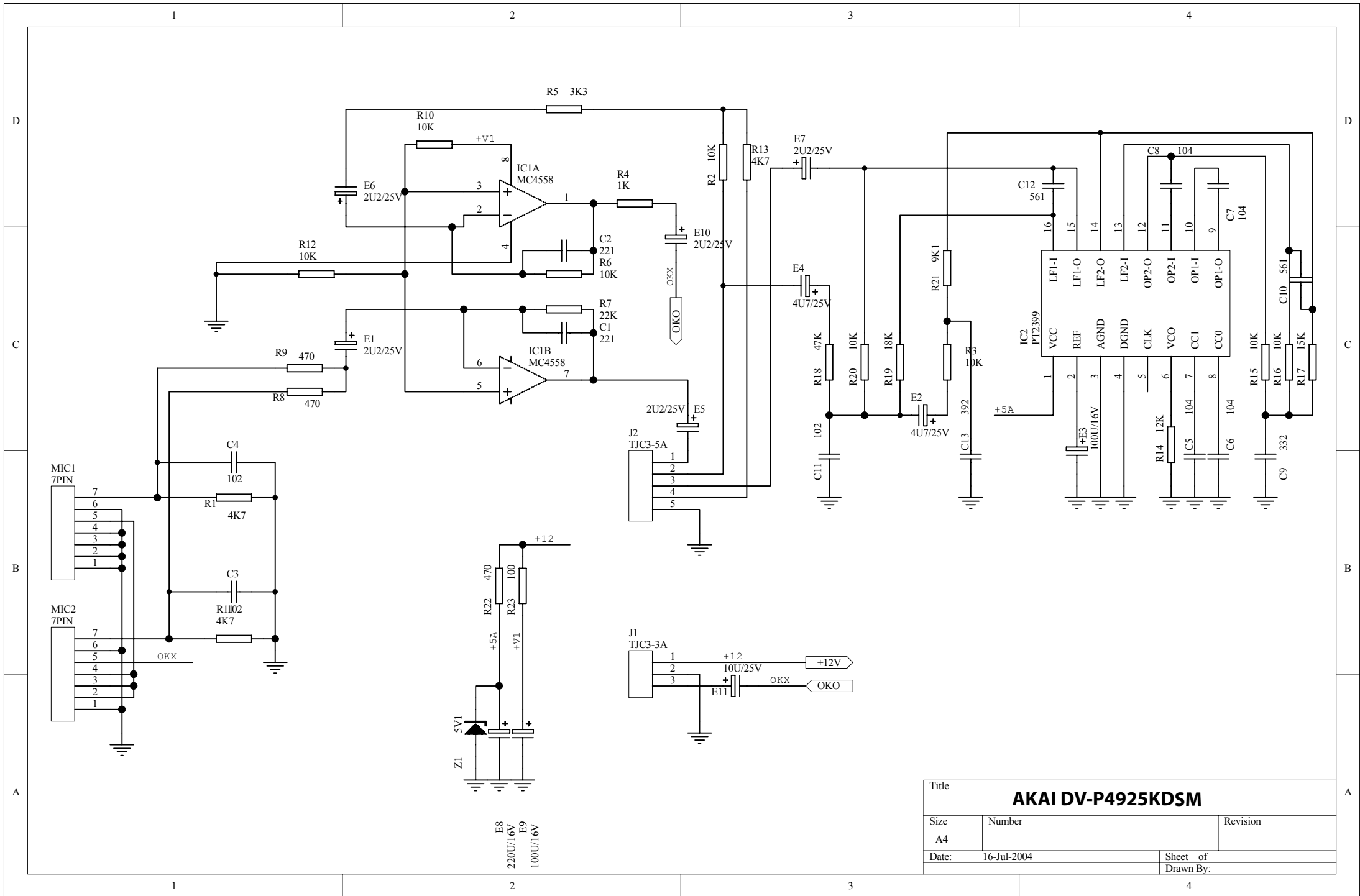


Title		
<b>AKAI DV-P4925KDSM</b>		
Size	Number	Revision
B		
Date:	25-May-2005	Sheet of
File:	E:\1 DVD\#8 FSDM101\SCH1.DDB	Drawn By:

LED-DIPLAY & CTRL







Title		
<b>AKAI DV-P4925KDSM</b>		
Size	Number	Revision
A4		
Date:	16-Jul-2004	Sheet of
		Drawn By: